

Art.-Nr.: 4006055 RE / 10.2014

EN

Instructions for fitting and operation

Door handle HST-FS

EN	Door handle HST - FS 19
-----------	-----------------------------------	-------------

Contents

1	About these instructions	12
2	Safety instructions	12
2.1	Intended use	12
2.2	Safety instructions for operation	12
3	Description of the radio switch	13
4	Initial start-up	13
5	Operation	14
6	Learning and inheriting / transmitting a radio code	14
6.1	Teaching in a radio code.....	15
6.2	Mixed operation / BiSecur and fixed code 868 MHz	16
7	Reset	16
7.1	Set the fixed code 868 MHz.	16
8	LED display	17
9	Cleaning	17
10	Disposal	17
11	Technical data	18
12	EC Declaration of Conformity	18

Dissemination as well as duplication of this document and the use and communication of its content are prohibited unless explicitly permitted. Noncompliance will result in damage compensation obligations. All rights reserved in the event of patent, utility model or design model registration. Subject to changes.

1 About these instructions

Read through all of the instructions carefully, as they contain important information about the product. Pay attention to and follow the instructions provided, particularly the safety instructions and warnings.

Please keep these instructions in a safe place and make sure that they are available to all users at all times.

2 Safety instructions

2.1 Intended use

The door handle is equipped with a radio switch. It can be operated with both the BiSecur radio and the fixed code 868 MHz.

Other types of application are prohibited. The manufacturer is not liable for damage caused by improper use or incorrect operation.

2.2 Safety instructions for operation

WARNING

Danger of injury during door travel

Persons may be injured by door travel if the door handle is actuated.

- ▶ When in operation, make sure that neither persons, children in particular, nor objects are located within the door's area of travel.
- ▶ Make sure that the door handle is only operated by people who have been instructed on how the remote-control door functions!
- ▶ If the door has only one safety device, only operate the hand transmitter if you are within sight of the door!
- ▶ Only drive or pass through remote control door systems if the door is in the Open end-of-travel position!
- ▶ Never stand in the door's area of travel.

ATTENTION

Malfunction due to environmental influences

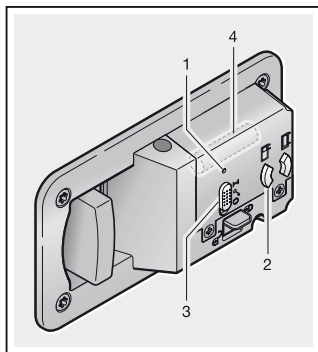
Non-compliance with these instructions can impair function!

Protect the radio switch from the following conditions:

- Direct sunlight (permissible ambient temperature: $-20\text{ }^{\circ}\text{C}$ to $+60\text{ }^{\circ}\text{C}$)
- Moisture
- Dust

NOTES:

- If there is no separate garage entrance, perform all programming changes and extensions of radio systems from inside the garage.
- After programming or extending the radio system, perform a function test.
- Only use original components when putting the radio system into service or extending it.
- Local conditions may affect the range of the radio system.
- When used at the same time, GSM 900 mobile phones can affect the range.

3 Description of the radio switch

- 1 LED, bi-colour
- 2 Transmitter buttons
- 3 On / off switch for connected control elements
- 4 1 x 1,5 V battery, type: AAA (LR03)

4 Initial start-up

After inserting the battery, the radio switch is ready for operation.

ATTENTION**Destruction of the radio switch by leaking batteries**

Batteries can leak and destroy the radio switch.

- ▶ Remove the battery from the radio switch if it is out of use for a long period of time.

5 Operation

NOTE:

If the radio code for the taught-in transmitter button was copied from another hand transmitter beforehand, the transmitter button must be pressed a second time during initial start-up.

Each transmitter button is assigned to a radio code. Press the transmitter button whose radio code you want to transmit.

- The radio code is transmitted and the LED is illuminated blue for 2 seconds.

NOTE:

If the battery is almost empty, the LED flashes red twice

- a. before transmitting the radio code.
 - ▶ The battery **should be** replaced soon.
- b. and the radio code is not transmitted.
 - ▶ The battery **must be** replaced immediately.

6 Learning and inheriting / transmitting a radio code



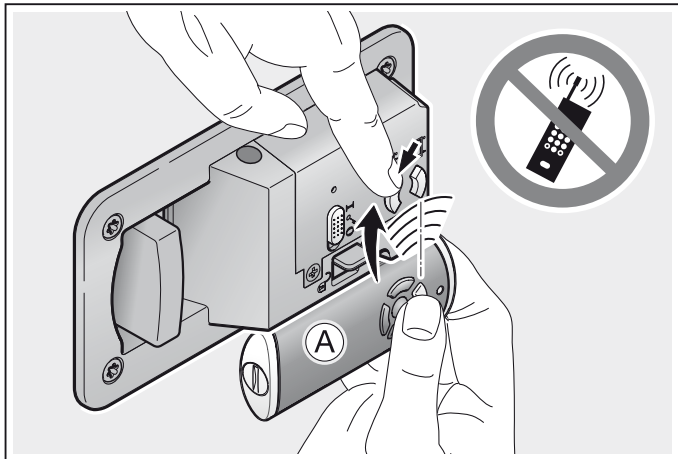
CAUTION

Danger of injuries due to unintended door travel

Unintended door travel may occur while teaching in the radio system.

- ▶ Make sure no persons or objects are in the door's area of travel when teaching in the radio system.

6.1 Teaching in a radio code



1. Press the hand transmitter button on hand transmitter **A**, whose radio code is to be inherited, and keep it pressed.
 - The radio code is transmitted and the LED is illuminated blue for 2 seconds then goes out.
 - After 5 seconds, the LED flashes alternately red and blue, the radio switch transmits the radio code.
2. Hold the hand transmitter near the radio switch as shown in the illustration.
3. Press the transmitter button to which the new radio code is to be allocated, and keep it pressed.
 - The LED will flash slowly in blue.
 - If the radio code is recognised, the LED flashes quickly in blue.
 - After 2 seconds, the LED goes out.

NOTE:

You have 15 seconds to inherit/transmit the code. The process must be repeated if the radio code is not successfully inherited/transmitted within this time.

6.2 Mixed operation / BiSecur and fixed code 868 MHz

If the BiSecur radio has been set, mixed operation is possible, i.e. existing hand transmitters with an 868 MHz fixed code (grey hand transmitters with blue buttons or the device designation HSD2-868) can be taught in from the BiSecur hand transmitter.

7 Reset

Each transmitter button is assigned to a new radio code by means of the following steps.

1. Open the door handle housing and remove the battery for 10 seconds.
2. Press a transmitter button and keep it pressed.
3. Insert the battery.
 - The LED slowly flashes in blue for 4 seconds.
 - The LED flashes rapidly in blue for 2 seconds.
 - The LED is illuminated blue for a long time.
4. Release the transmitter button.
All radio codes are newly assigned.
5. Close the door handle housing.

NOTE:

If the transmitter button is released prematurely, no new radio codes are assigned.

7.1 Set the fixed code 868 MHz.

If immediately following the device reset, the transmitter button remains pressed, the fixed code 868 MHz will be activated.

- The LED slowly flashes in red for 4 seconds.
- The LED flashes rapidly in red for 2 seconds.
- The LED is illuminated red for a long time.

All radio codes are newly assigned.

NOTE:

If the transmitter button is released prematurely, the BiSecur radio will remain active.

Further information about operating the radio switch with the fixed code 868 MHz can be found on the Internet at **www.hoermann.com**

8 LED display

Blue (BU)

Condition	Function
Illuminated for 2 seconds	A radio code is being transmitted
Flashes slowly	Radio switch is in the learn mode
Flashes quickly after slow flashing	A valid radio code was detected during the learning run
Flashes slowly for 4 seconds Flashes quickly for 2 seconds Illuminated long	Device reset is being performed or completed

Red (RD)

Condition	Function
Flashes 2 x	The battery is almost empty

Blue (BU) and Red (RD)

Condition	Function
Flashing alternately	Radio switch is in inherit / transmit mode

9 Cleaning

ATTENTION

Damaging the door handle by faulty cleaning

Cleaning the door handle with unsuitable cleaning agents can damage the surface.

- ▶ Clean the door handle with a clean, soft, damp cloth.

10 Disposal



Electrical and electronic devices, as well as batteries, may not be disposed of in household rubbish. They must be returned to the appropriate recycling facilities.



11 Technical data

Type	Door handle HST-FS
Frequency	868 MHz
Power supply	1× 1,5 V battery, type: AAA (LR03)
Perm. ambient temperature	-20 °C to +60 °C
Protection category	IP 20

12 EC Declaration of Conformity

(as defined in the R&TTE guideline 1999/5/EC)

Herewith the

Company Hörmann KG Verkaufsgesellschaft
Upheider Weg 94-98
D-33803 Steinhagen

declares that this

device Door handle HST-FS

based on its design and style in the marketed version is in accordance with the basic requirements and other relevant requirements of the directive 1999/5/EC. Any modification made to the devices without our express permission and approval shall render this declaration null and void.

Applied and consulted standards and specifications:

EN 60950-1
EN 300 220-1
EN 300 220-2
EN 301 489-1
EN 301 489-3

This device may be operated in all EU nations, Norway, Switzerland and other countries.

Steinhagen, 01.06.2012



ppa. Axel Becker, Management

