

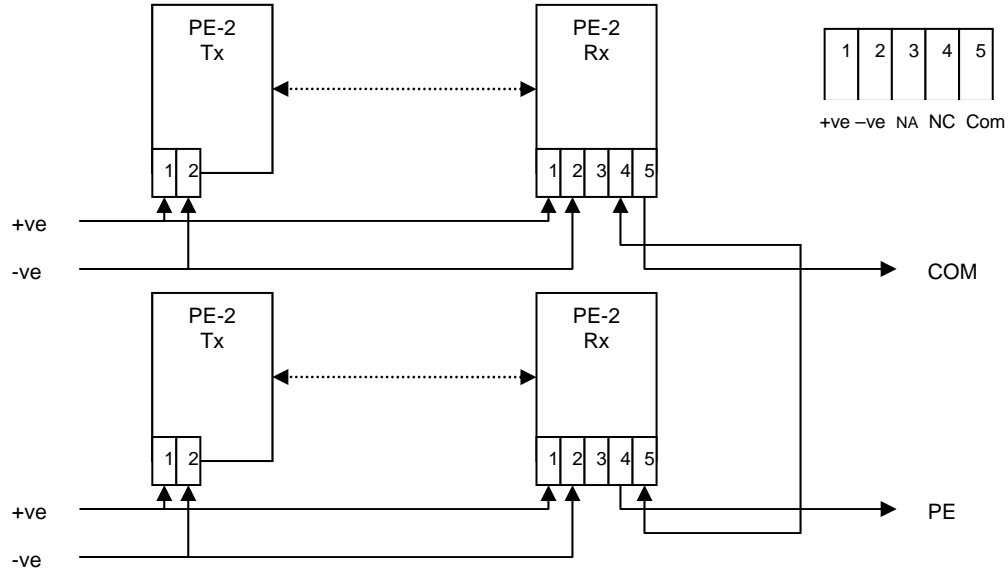
Sales & Application Note

N1- ATA PE-2 Beam Wiring Applications

1. Dual PE beams application;

For when EITHER beams are broken to activate

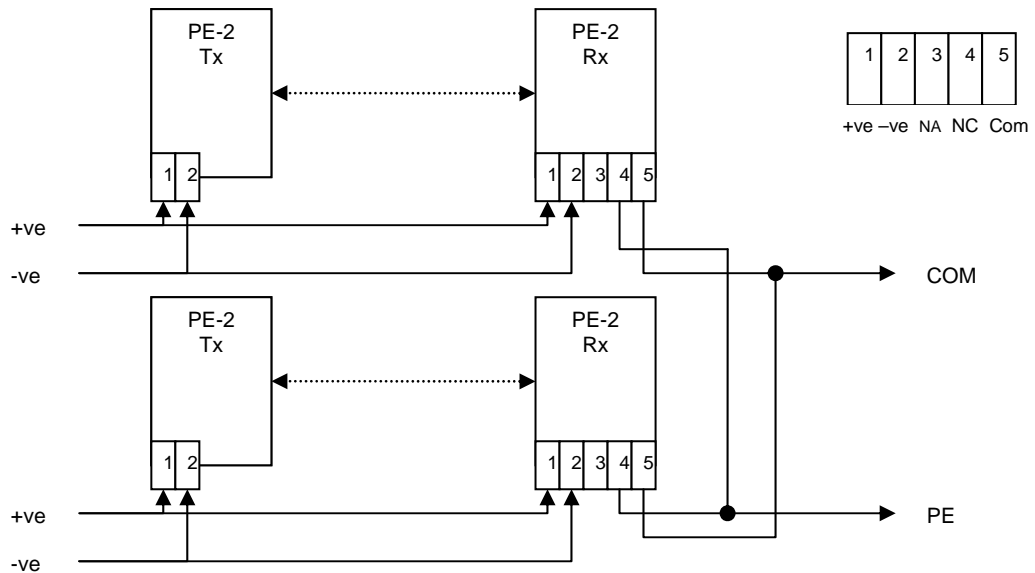
Take note when using pairs of photocells as there could interfere with each other. See manual for phase change.



2. Dual PE beams application;

For when BOTH beam is broken to activate

Take note when using pairs of photocells as there could interfere with each other. See manual for phase change.



Sales & Application Note

3. Dual V24 Easy Slider with one PE beam

